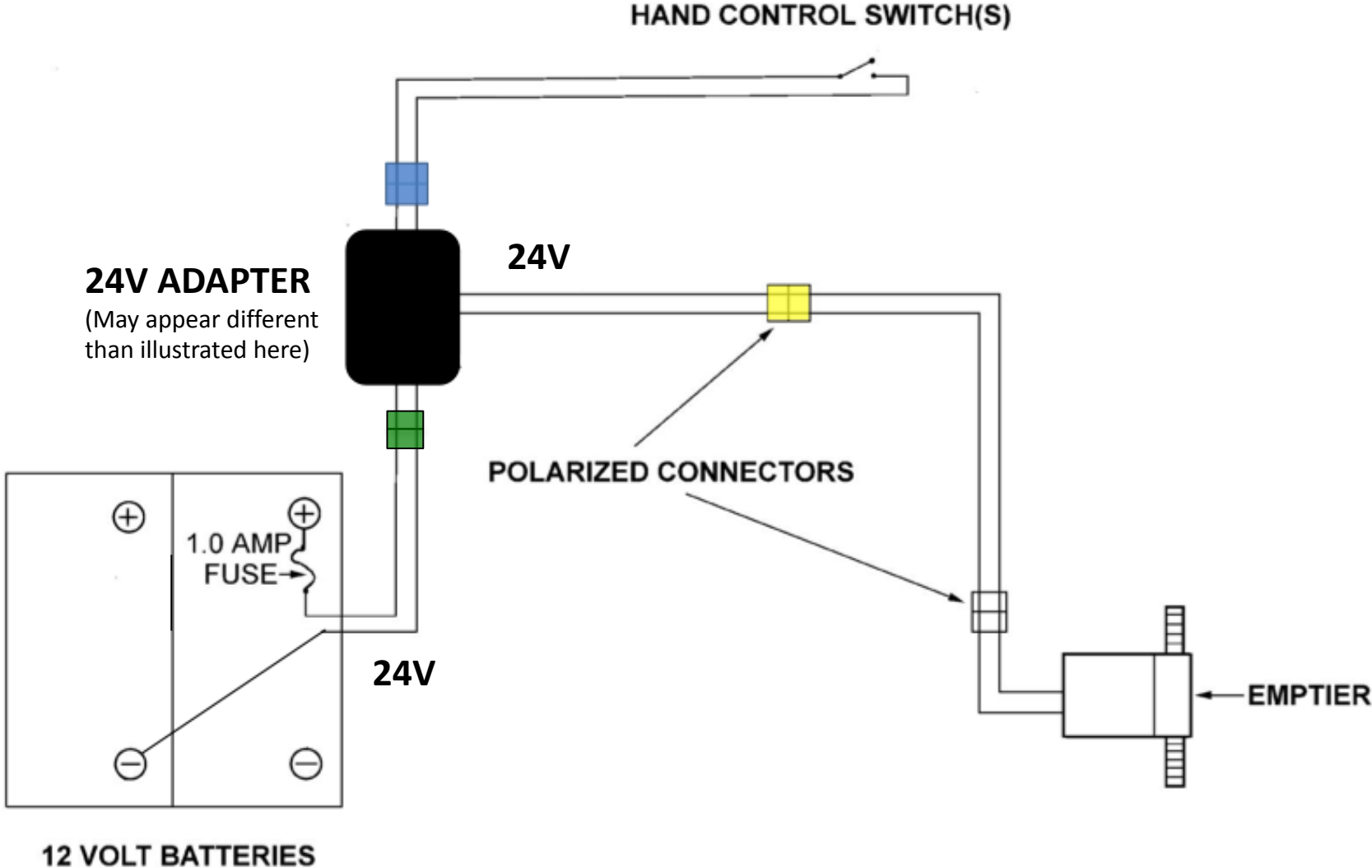
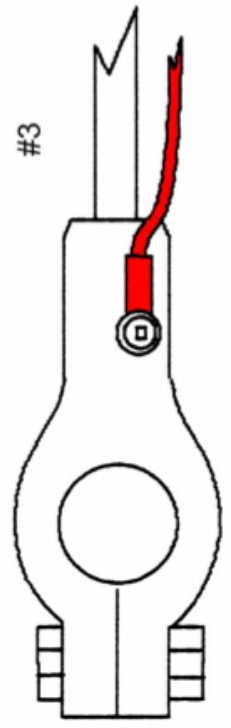
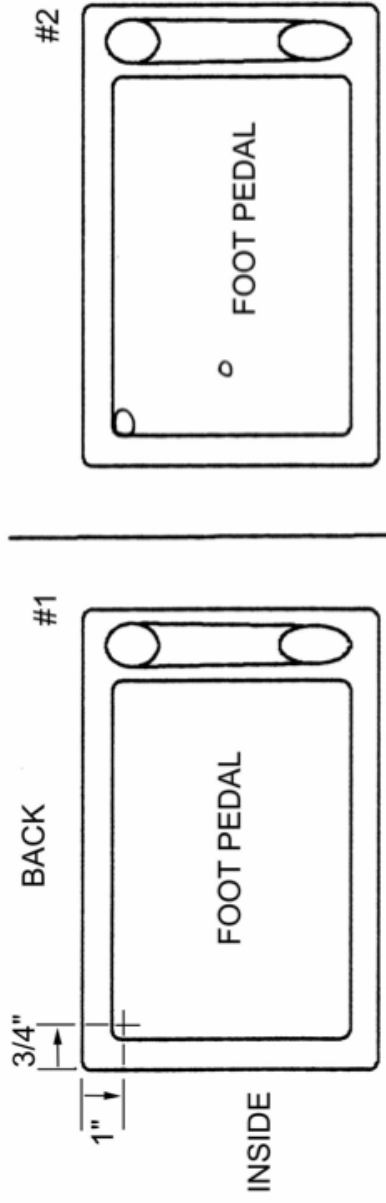
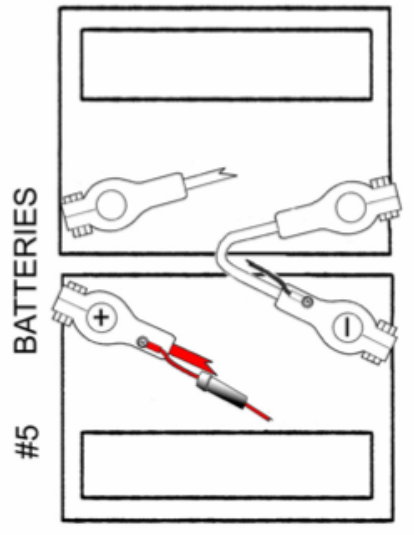


24V SYSTEM





BATTERY TERMINAL CONNECTIONS



12 VDC EMPTIER