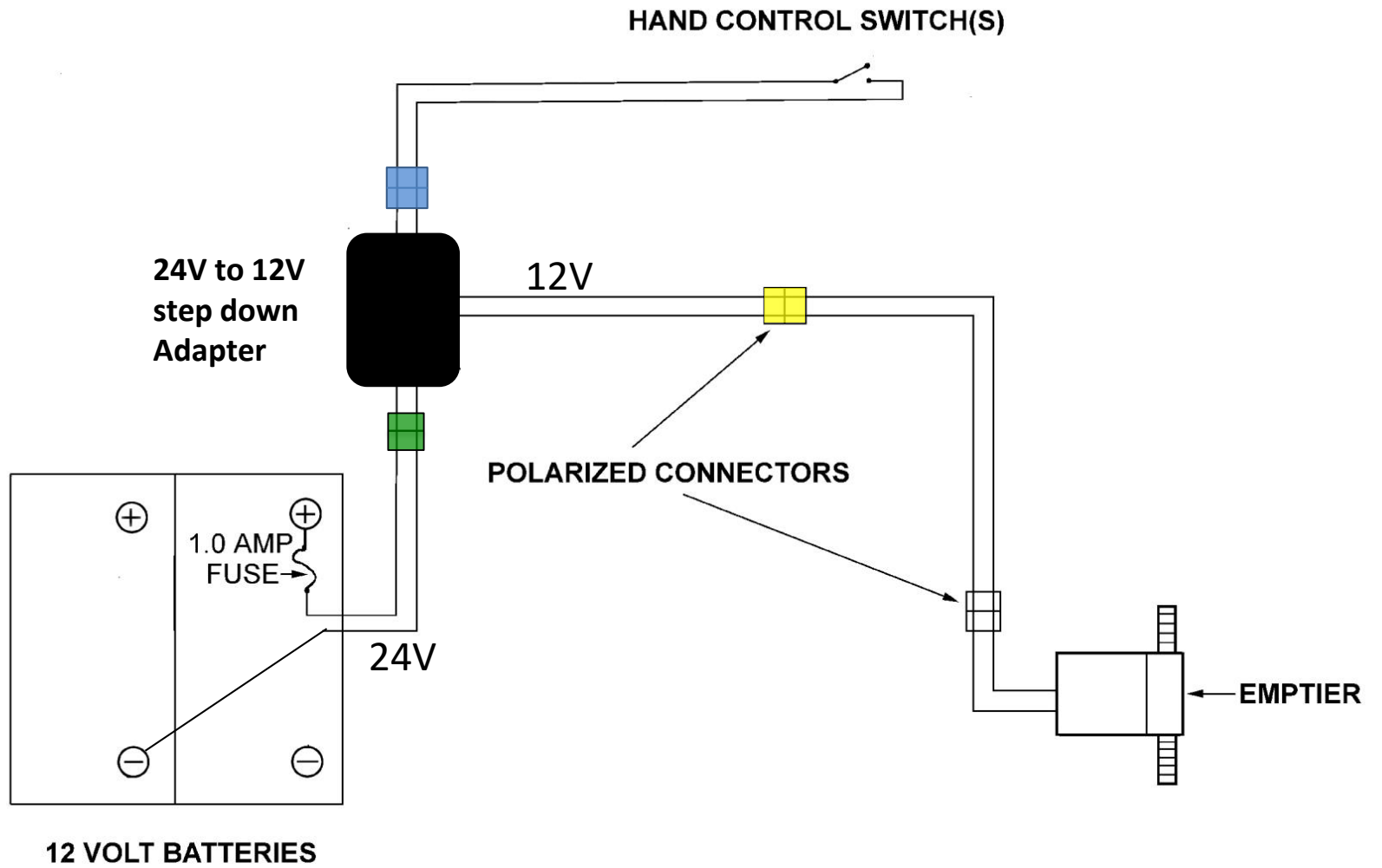
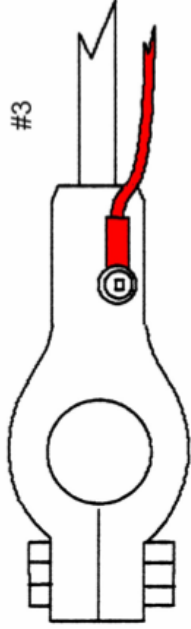
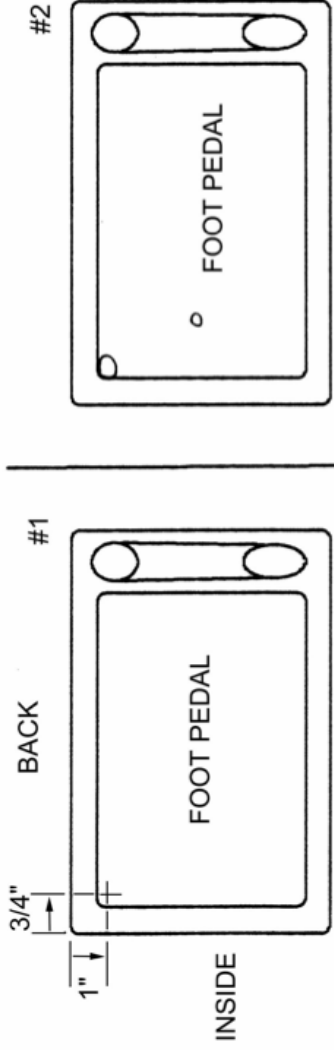
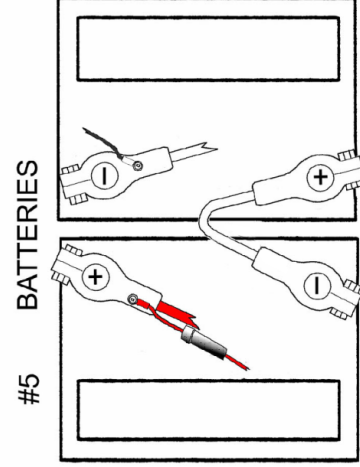


24/12 VDC SYSTEM





BATTERY TERMINAL CONNECTIONS



24-12 VDC EMPTIER